

SERVICE CONTACT HARDWARE RECOMMENDATIONS (FURNISHED AND INSTALLED BY THE CUSTOMER)



$\frac{3}{8}$ " THRU-WALL BOLT APPROX. 10" LENGTH
ONE WIRE RACK FOR BRICK OR FRAME
CONSTRUCTION.

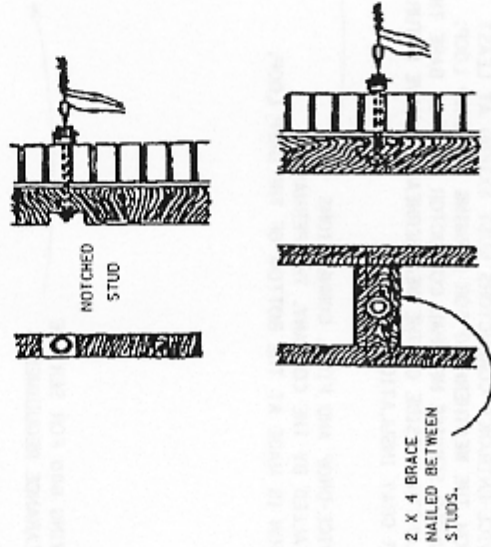


SERVICE WIRE HOLDER FOR
FRAME CONSTRUCTION.

SEE DRAWING 600 FOR SERVICE CLEARANCES
AND ARTICLE 306 FOR ATTACHMENT REQUIREMENTS

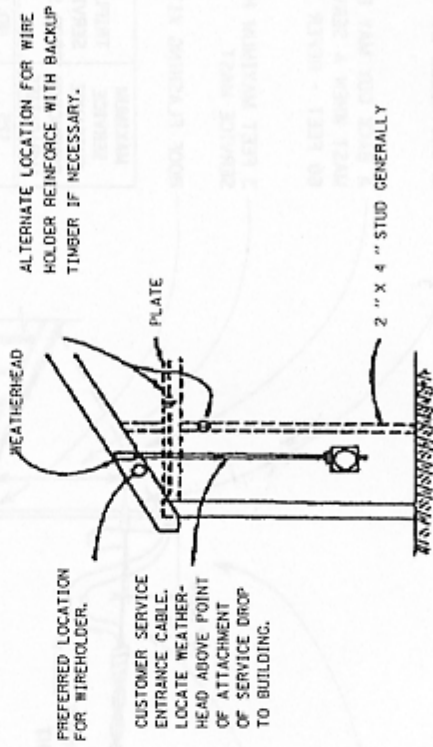
METHOD OF INSTALLATION

BRICK VENEER



2 X 4 BRACE
NAILED BETWEEN
STUDS.

FRAME



PREFERRED LOCATION
FOR WIREHOLDER.

CUSTOMER SERVICE
ENTRANCE CABLE.
LOCATE WEATHER-
HEAD ABOVE POINT
OF ATTACHMENT
OF SERVICE DROP
TO BUILDING.

ALTERNATE LOCATION FOR WIRE
HOLDER REINFORCE WITH BACKUP
TIMBER IF NECESSARY.

2 " X 4 " STUD GENERALLY

PLAN VIEW



WIREHOLDER

NOTE: DO NOT MAKE CONTACTS ON MASONRY CHIMNEYS.

NOTE: WIREHOLDER MUST BE ATTACHED TO A PORTION OF THE
STRUCTURE DESIGNED TO WITHSTAND LOADING SUCH AS
THE BUILDING FRAME ETC.