

606

# 120/240 VOLT, SINGLE-PHASE, THREE-WIRE METERING OUTDOOR INSTALLATION (200 AMPERES MAXIMUM WITH SERVICE DISCONNECT INDOORS)

REVISED 1/00

OUTDOOR METER REQUIRED ON ALL NEW INSTALLATIONS  
THIS SOCKET IS ALSO AVAILABLE WITH DUAL LOAD SIDE

A WATER-TIGHT CONNECTOR MUST BE INSTALLED IN THE HUB WHEN USING SERVICE ENTRANCE CABLE. SILICONE SEALANT, IF REQUIRED, IS TO BE FORMED AROUND THE CABLE ON TOP OF THE CONNECTOR TO PREVENT WATER FROM ENTERING THE METER SOCKET.

SERVICE ENTRANCE CABLE SHOWN  
SERVICE CONDUITS MAY ALSO BE USED  
FOR THIS TYPE OF SERVICE

METERING EQUIPMENT AND CONDUCTORS SHOWN ARE FURNISHED AND INSTALLED BY THE CUSTOMER. IT MUST BE MOUNTED PLUMB. ALL OTHER EQUIPMENT & CONDUCTORS SHOWN ARE FURNISHED & INSTALLED BY THE CUSTOMER.

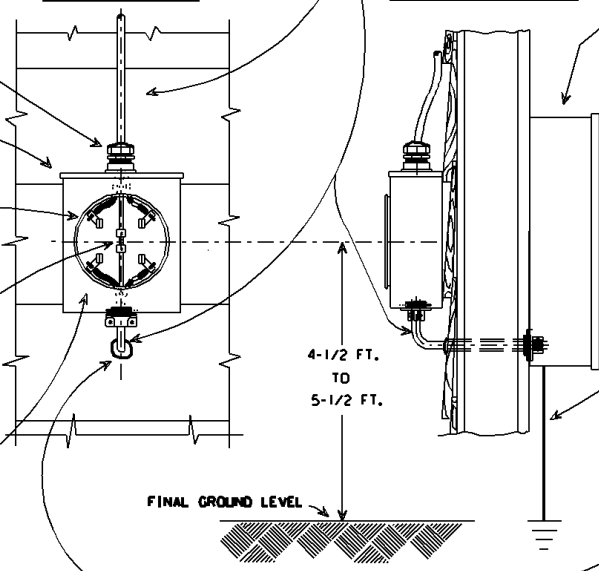
WHEN ALUMINUM CONDUCTORS ARE INSTALLED ALL CONNECTIONS IN THE METER SOCKET MUST BE PROPERLY COATED WITH AN INHIBITOR COMPOUND. IT IS HIGHLY RECOMMENDED TO USE THE INHIBITOR COMPOUND ON THE CONDUCTOR CONNECTIONS IN THE SERVICE DISCONNECT OR SERVICE PANELBOARD.

THE GROUNDED SERVICE NEUTRAL CONDUCTOR CONNECTED TO THE NEUTRAL CONNECTOR IN THE METER SOCKET BONDS THE SOCKET TO THE SERVICE GROUNDING SYSTEM.

ALL SERVICE CONDUCTOR CONNECTORS IN THE METER SOCKET AND SERVICE DISCONNECT OR SERVICE PANELBOARD SHALL BE TORQUED TO THE MANUFACTURER'S SPECIFICATIONS LABEL FOUND ON THE EQUIPMENT.

## FRONT VIEW

## WALL SECTION



THE SERVICE DISCONNECTING MEANS AND OVERCURRENT PROTECTION ENCLOSURE.

APPROVED GROUNDING  
(SEE DRAWING 636)

THE HOLE WHERE THE SERVICE ENTRANCE CABLE OR RACEWAY ENTERS THE BUILDING SHOULD BE SEALED TO PREVENT WATER, RODENTS OR INSECTS FROM ENTERING THE BUILDING.

4-1/2 FT.  
TO  
5-1/2 FT.

FINAL GROUND LEVEL