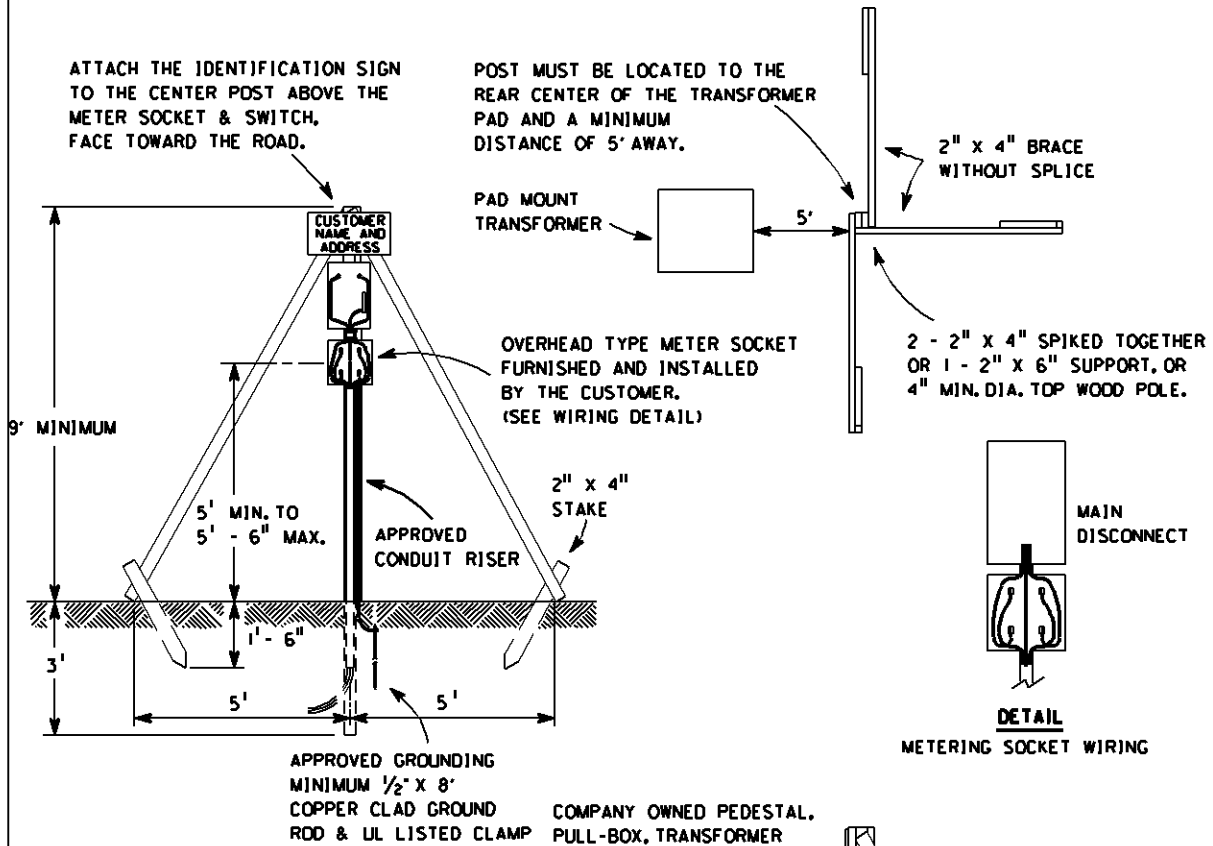


638

REVISED 4/07

SUPPORT FOR A 120/240V, OR 120/208V-1 ϕ SINGLE-PHASE, THREE-WIRE TEMPORARY SERVICE 200AMP OR SMALLER FROM AN UNDERGROUND SUPPLY FOR USE DURING BUILDING CONSTRUCTION



GENERAL NOTES:

THIS INSTALLATION IS A BASIC DESIGN FOR A 120/240V-1 ϕ OR 120/208V-1 ϕ TEMPORARY U.G. SERVICE 200AMPS OR SMALLER.

TIMBER SIZES SHOWN FOR SERVICE SUPPORT ARE MINIMUM FOR STRENGTH REQUIRED.

THE CUSTOMER MUST INSTALL THE SERVICE SUPPORT, SERVICE LATERAL CONDUCTORS, SERVICE DISCONNECT(S) SERVICE GROUNDING AND ALL NECESSARY PROTECTION FOR PERSONNEL SAFETY REQUIRED BY LOCAL AND/OR NATIONAL CODES.

THE INSTALLATION REQUIREMENTS AND APPROVAL OF THE SERVICE LATERAL CONDUCTORS, (AMPACITY, TYPE, DEPTH, ETC.) ARE UNDER THE JURISDICTION OF THE LAWFULLY-DESIGNATED ELECTRICAL INSPECTOR FOR THE GEOGRAPHICAL AREA.

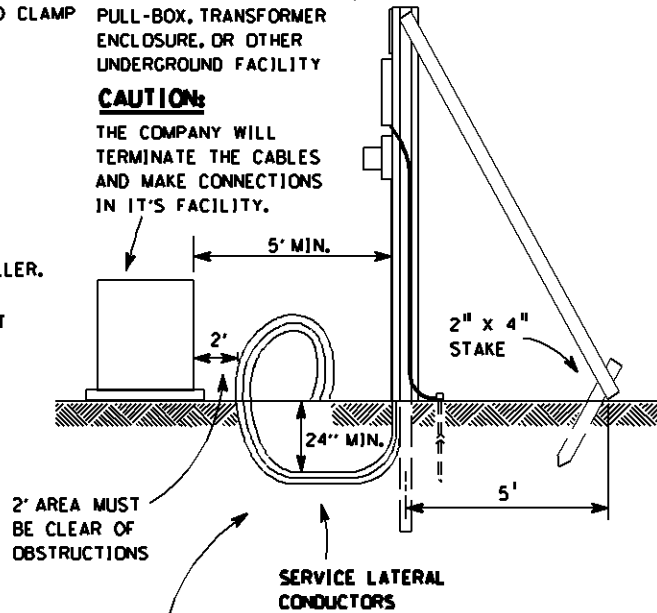
THE TEMPORARY SUPPORT MUST BE LOCATED AT LEAST 5' AWAY FROM THE COMPANY'S SERVICE FACILITY.

FOR TEMPORARY SERVICES GREATER THAN 200AMP. (CONTACT POWER DELIVERY).

COMPANY OWNED PEDESTAL, PULL-BOX, TRANSFORMER ENCLOSURE, OR OTHER UNDERGROUND FACILITY

CAUTION:

THE COMPANY WILL TERMINATE THE CABLES AND MAKE CONNECTIONS IN IT'S FACILITY.



THE CUSTOMER SHALL PROVIDE SUFFICIENT LENGTH OF CONDUCTOR'S TO REACH AND TO MAKE CONNECTIONS IN AN UNDERGROUND FACILITY. SEAL ENDS OF CONDUCTORS AGAINST MOISTURE. STUB UP OUT OF THE GROUND 2' FROM THE FACILITY.